

BEST OF BREED IN EVERY WAY THAT MATTERS

LOOP BELT™ TRUCK-MOUNTED TELESCOPIC CONVEYORS



 **SCHWING®**

MEET YOUR NEW COMPETITIVE ADVANTAGE

Strong, yet lightweight and easy to control, our line of Schwing Loop Belt truck-mounted telescopic conveyors has grown to include a variety of mounting options, including truck, semi-trailer or tower, all designed to save you time and labor.

SCHWING LOOP BELT CONVEYORS ARE IDEAL FOR A WIDE RANGE OF CONCRETE AND BACKFILL APPLICATIONS, INCLUDING:

- Residential: Footings, Walls and Gravel
- Slab on Grade
- Tilt Up
- Mezzanines
- Bridge Decks
- Wind Turbine Foundations
- Mat Pours
- Warehouse Slabs
- Commercial Foundations
- Backfill



CONVEYS MORE MATERIAL DELIVERS MORE CONFIDENCE



MAXIMUM UPTIME

Schwing Loop Belt truck-mounted telescopic conveyors are designed with breakthrough innovation and reliable performance built in to ensure maximum uptime and increased service life.



EASE OF USE AND SERVICEABILITY

Featuring easy to understand hydraulic and wireless control plus straightforward maintenance procedures, we designed our truck-mounted conveyors for ease of operation, including quick setup and teardown for faster turnaround times.



MOVE MORE MATERIAL

With the longest reach of any truck-mounted conveyor in the industry and 20" wide belts, you'll get as much as 40% more material delivery capacity and true large aggregate handling ability. From low to no slump concrete and aggregates up to 6", our truck-mounted conveyors move more material efficiently and safely at a lower cost per yard.



SAVE TIME AND LABOR

Perform multiple tasks from one location with quick setup and teardown. Plus, place material at higher volumes with less manpower and handling machinery for overall reduced operating costs.

PROVEN, RELIABLE, INNOVATIVE PATENTED DESIGNS

Patented feed conveyor, hinge and transfer provide superior material flow in high capacity and difficult mix applications. Proudly designed and built in America, Schwing Loop Belt Telescopic Conveyors take versatility and performance to new lengths.

OUR TRUCK-MOUNTED TELESCOPIC BELT CONVEYORS LB33T4-20 & LB40T5-20

Our technologically advanced, feature-rich telescopic belt conveyors deliver superior fuel efficiency and mobility on the job site—outmaneuvering and outperforming other competitive placing systems. They are ideal for work on a broad range of high-volume applications from footings and foundations to bridge decks, mat pours and wind energy tower foundations. With 360° rotation, you can place material in any position as well as load the feeder in a variety of locations.

Both the LB40T5-20 and LB33T4-20 are optimized on Mack TerraPro 8x4 chassis using a split shaft PTO. Either can be mounted on a variety of chassis or configurations based on your needs. With a set-up height of 17 feet, the LB40T5-20 is great for jobs with low overhead clearance.



WE'VE PORED OVER EVERY DETAIL TO MAKE SURE OUR TRUCK-MOUNTED TELESCOPIC CONVEYORS ARE BEST OF BREED IN EVERY WAY

HERE ARE JUST A FEW OF OUR PROVEN,
RELIABLE, PATENTED INNOVATIONS:

With a set-up height of 17 feet, the LB40T5-20 is great for jobs with low overhead clearance or in enclosed structures, under bridges and other limited access structures.

Boom and feeder functions are fully proportional using Hawe valves and a Scanreco wireless remote system.

Hydraulically powered outriggers in all models for quick and easy setup in both congested areas and rough terrain.

20" wide conveyor belts that provide up to 40% more material delivery capacity than 18" belts.

The feeder and boom are equipped with U-troughed rollers for increased capacity and cleanliness.

The telescope drive motor and slewing motor are externally mounted and strategically positioned for ease of service.

Highly efficient dual telescopic wire rope driver system provides smooth conveyor extension and retraction.

High-strength tubular steel welded boom structure and feed conveyor are stronger and lighter weight than competitive aluminum booms.



Feed conveyor transfer and turret mountings are designed for optimal performance, ease of maintenance and clean operation.

360° rotation allows for material placement in any position as well as feeder loading in a variety of locations.

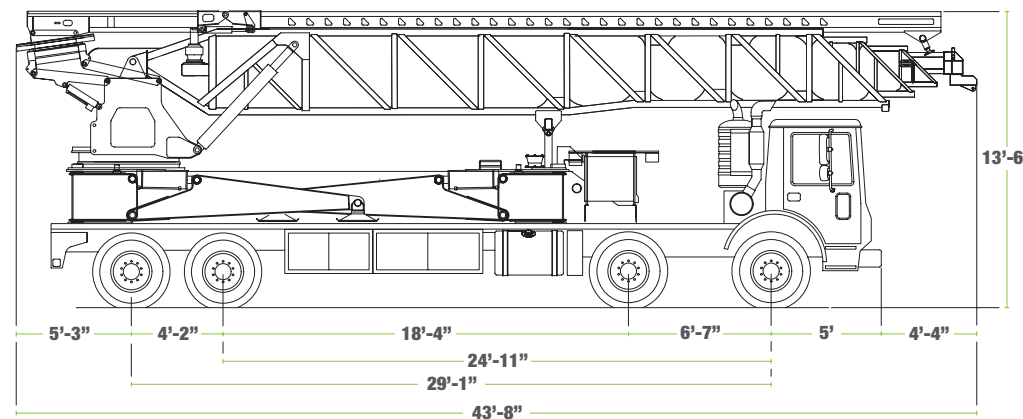
150 gallon water tank is built into the main structure.

Both the LB40T5-20 and LB33T4-20 are optimized on Mack TerraPro 8x4 chassis using a split shaft PTO.

Either can be mounted on a variety of chassis or configurations based on your needs.

SPECIFICATIONS

LB33T4-20

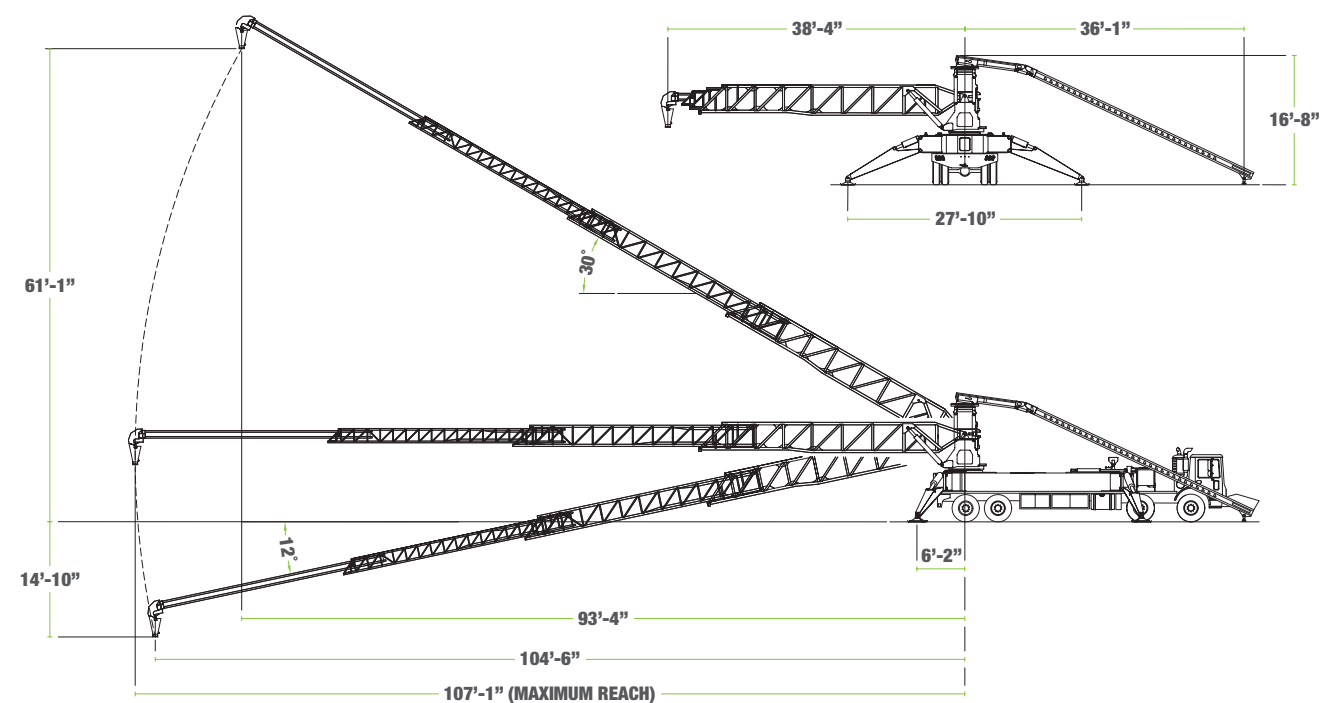
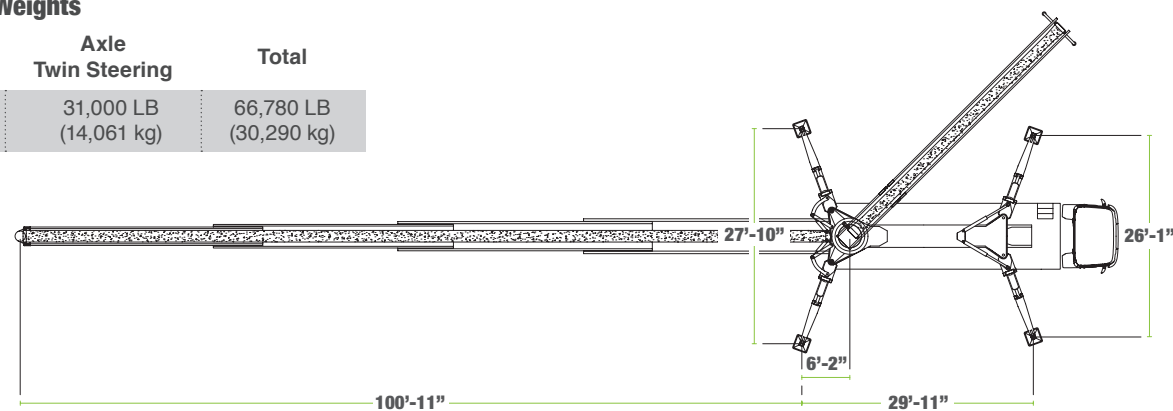


General Dimensions

Height	13' 6" 4.11 Meters
Width	8' 6" 2.59 Meters
Length	43' 8" 13.31 Meters

Transport Axle Weights

Axle Tandem Rear	Axle Twin Steering	Total
35,780 LB (16,229 kg)	31,000 LB (14,061 kg)	66,780 LB (30,290 kg)



Conveyors

	U.S.	Metric
Conveyor horizontal reach		
Maximum at 0°	107' 1"	32.64 m
Maximum at 30°	93' 4"	28.45 m
Conveyor belt width	20"	508 mm
Feed conveyor length	40'	12.19 m
Feed conveyor belt width	20"	508 mm
Discharge height from grade		
Maximum at 30°	61' 1"	18.62 m
Maximum at -12°	14' 10"	4.52 m
Main & feed conveyors		
Observed capacity at 0°	8.40 cu yds/min	4.47 cu m/min
Observed capacity at 25°	5.33 cu yds/min	3.42 cu m/min

Outriggers

	U.S.	Metric
Net reach beyond outriggers		
Maximum at 0°	100' 11"	30.76 m
Maximum at 30°	87' 2"	26.57 m
Outrigger spread L-R front hydraulic out	26' 1"	7.95 m
Outrigger spread L-R rear hydraulic out	27' 10"	8.48 m
Outrigger spread front to rear	29' 11"	9.12 m

General Specifications

	U.S.	Metric
Water tank capacity	150 gal	567.8 L
Hydraulic tank capacity (with cooler)	180 gal	681.4 L

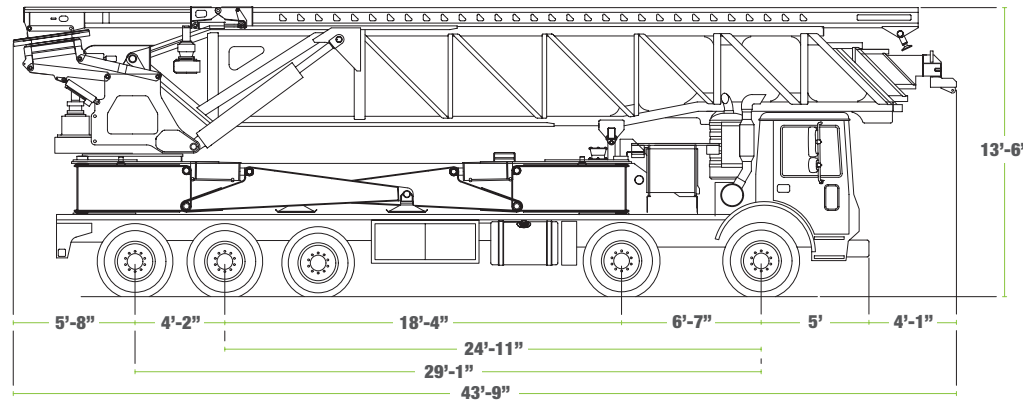
Truck Specifications

	U.S.	Metric
Weight	21,000 LB	9,525 kg
Engine horsepower	425 HP	317 kW
Wheelbase	324"	8,230 mm
Cab height	104"	2,642 mm
Fuel tank capacity	80 gal	303 L

All specifications are subject to change.

SPECIFICATIONS

LB40T5-20

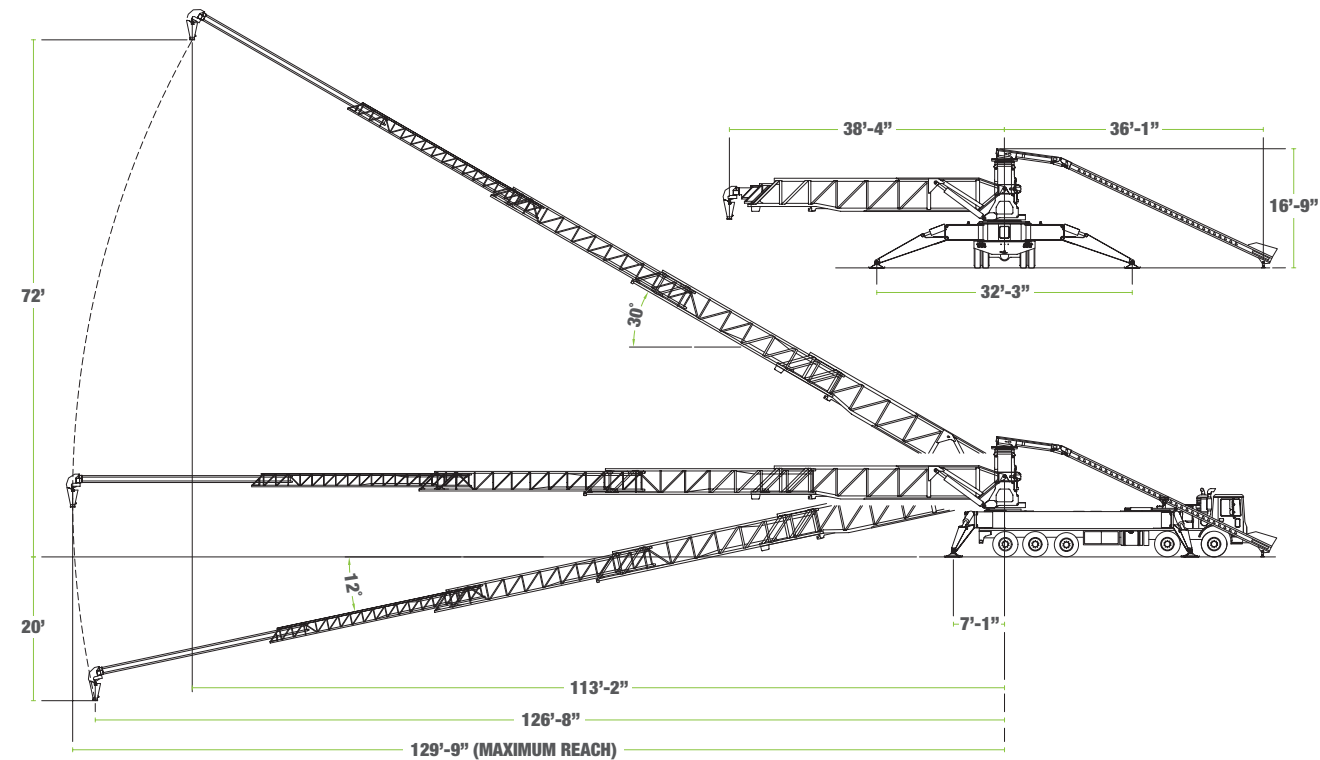
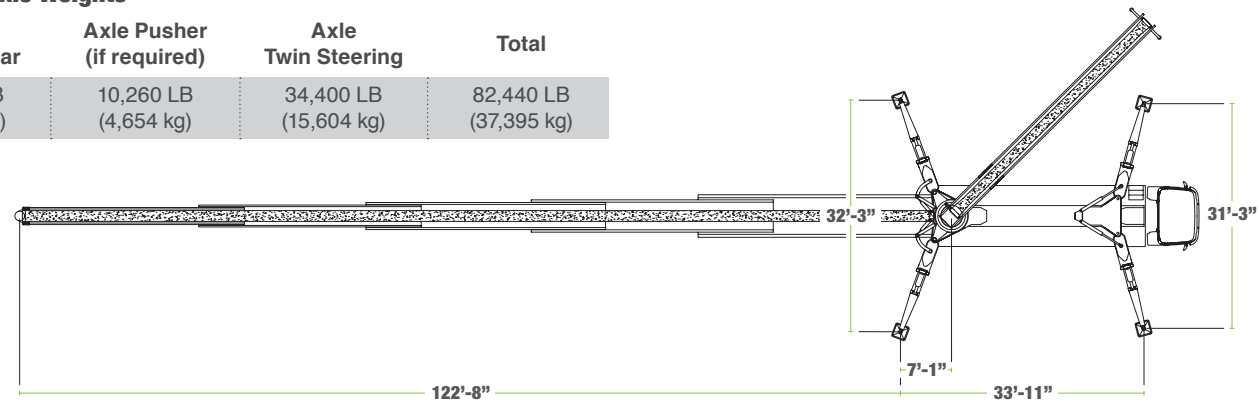


General Dimensions

Height	13' 6" 4.11 Meters
Width	8' 6" 2.59 Meters
Length	43' 9" 13.33 Meters

Transport Axle Weights

Axle Tandem Rear	Axle Pusher (if required)	Axle Twin Steering	Total
37,780 LB (17,137 kg)	10,260 LB (4,654 kg)	34,400 LB (15,604 kg)	82,440 LB (37,395 kg)



Conveyors

	U.S.	Metric
Conveyor horizontal reach		
Maximum at 0°	129' 9"	39.56 m
Maximum at 30°	113' 2"	34.49 m
Conveyor belt width	20"	508 mm
Feed conveyor length	40'	12.19 m
Feed conveyor belt width	20"	508 mm
Discharge height from grade		
Maximum at 30°	72'	21.94 m
Maximum at -12°	20'	6.10 m
Main & feed conveyors		
Observed capacity at 0°	8.40 cu yds/min	4.47 cu m/min
Observed capacity at 20°	5.33 cu yds/min	3.42 cu m/min

Outriggers

	U.S.	Metric
Net reach beyond outriggers		
Maximum at 0°	122' 8"	37.39 m
Maximum at 30°	106'	32.31 m
Outrigger spread L-R front hydraulic out	31' 3"	9.52 m
Outrigger spread L-R rear hydraulic out	32' 3"	9.83 m
Outrigger spread front to rear	33' 11"	10.34 m

General Specifications

	U.S.	Metric
Water tank capacity	150 gal	567.8 L
Hydraulic tank capacity (with cooler)	180 gal	681.4 L

Truck Specifications

	U.S.	Metric
Weight	22,500 LB	10,206 kg
Engine horsepower	425 HP	317 kW
Wheelbase	324"	8,230 mm
Cab height	104"	2,642 mm
Fuel tank capacity	80 gal	303 L

All specifications are subject to change.

EXTENDING CONCRETE SOLUTIONS TO BUILD YOUR BUSINESS

SCHWING

Visit schwing.com/loopbelt for more on Schwing Loop Belt.

Concrete solutions to build our world.

01/2019



5900 Centerville Road | St. Paul, MN 55127 | 1-888-SCHWING
FAX 651-429-3464 | www.schwing.com
Service headquarters: 1-888-SCHWING